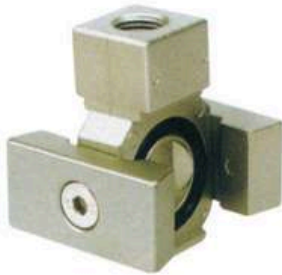


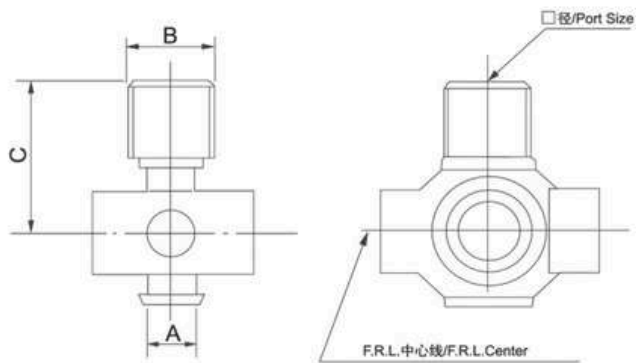
F.R.L. Units Accessories
T type Spacer, L type Bracket

T type Spacer



Ordering Code/Model	Port Size (G)	A	B	C	Applicable Model
Y21-01	G1/8"	10	19	29	AC2000
Y21-02	G1/4"				
Y31-01	G1/8"	11	19	33	AC3000
Y31-02	G1/4"				
Y41-02	G1/4"	14	24	39	AC4000
Y41-03	G3/8"				
Y61-03	G3/8"	15	30	50.5	AC5000
Y61-04	G1/2"				

T型隔板/T-Type Spacer



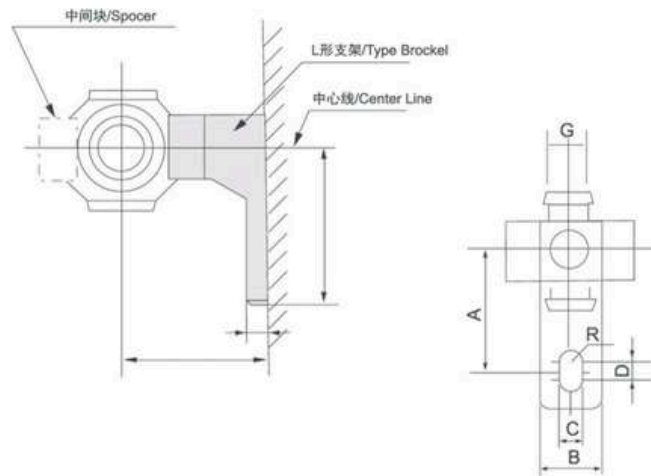
L type Bracket



带L型支架中间块
Spacer with L-Type Bracket



L形支架
L-Type Bracket



L-Type Bracket	Spacer with L-Type Bracket	A	B	C	D	E	F	G	R	L	Applicable Model
B110L	Y10L	20	12	4.5	3	25	5	8	2.25	27	AC1000
B210L	Y20L	24	15	5.5	3	30	5	10	2.75	33	AC2000
B310L	Y30L	35	16	7	4	41	7	11	3.5	45	AC2500~3000
B410L	Y40L	40	22	9	4	50	7	14	4.5	50	AC4000
B510L	Y50L	40	22	9	4	50	7	14	4.5	50	AC4000-06
B610L	Y60L	50	23	12	4	69.8	10.5	15	6	63	AC5000

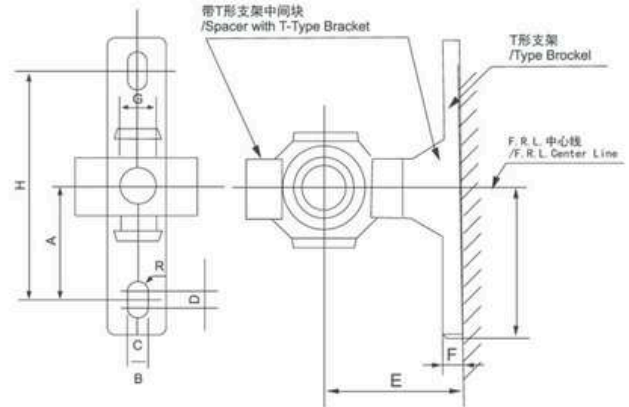
T type Bracket



带T形支架中间块
Spacer Whit T-Type Bracket

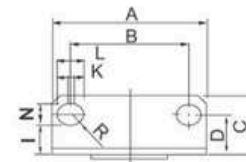
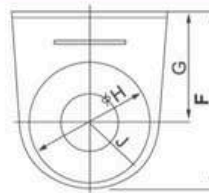


T形支架
T-Type Bracket



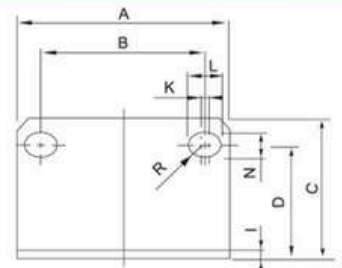
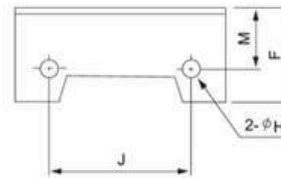
T-Type Bracket	Spacer with T-Tpe Bracket	A	B	C	D	E	F	G	H	R	L	Applicable Model
B110T	Y10T	20	12	4.5	3	25	5	8	40	2.25	27	AC1010
B210T	Y20T	24	15	5.5	3	30	5	10	48	2.75	33	AC2010
B310T	Y30T	35	16	7	4	41	7	11	70	3.5	45	AC3010
B410T	Y40T	40	22	9	4	50	7	14	80	4.5	50	AC4000
B510T	Y50T	40	22	9	4	50	7	14	80	4.5	50	AC4010-06
B610T	Y60T	50	23	12	4	69.8	10.5	15	100	6	63	AC5010

20 type Bracket



AR-AW Type Bracket	A	B	C	D	F	G	ΦH	J	K	L	N	R	T	Applicable Model
B120	40	28	17	11	37.8	25	20.5	12.3	2	6.5	4.5	2.25	2	AR/AW1000
B220	55	34	25	19	50	30	33.5	20	10	15.4	5.4	2.7	2.3	AR/AW2000/AR2500
B320	53	40	21.5	14	64	39	42.5	25	1.5	8	6.5	3.25	2.3	AR/AW3000
B420	70	54	27	18	79.2	49.2	52.5	30	2	10.5	8.5	4.26	2.3	AR/AW4000-5000 AW4000-5000

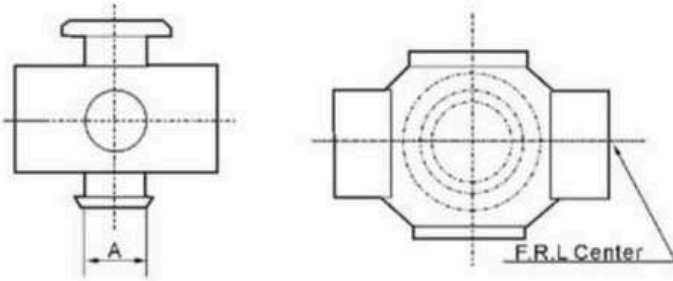
40 type Bracket



AL/AF Type Bracket	A	B	C	D	F	G	ΦH	J	K	L	N	R	t	Assembly Screw	Applicable Model
B240	40	27	33	27	18	4.5	26	3	8.4	14	5.4	2.7	2.3	M4×8	AF/AL2000
B340	53	40	39	32	22.5	4.5	35	1.5	8	19	6.5	3.25	2.3	M4×8	AF/AL3000
B440	70	54	47	38	31.5	5.5	47	2	10.5	20	8.5	4.25	2.3	M5×10	AF/AL4000
B540	70	54	47	38	27.5	5.5	47	2	10.5	20	8.5	4.25	2.3	M5×10	AF/AL4000-06
B640	90	66	64	52	43	6.5	60	2	13	29	11	5.5	3.2	M6×10	AF/AL5000

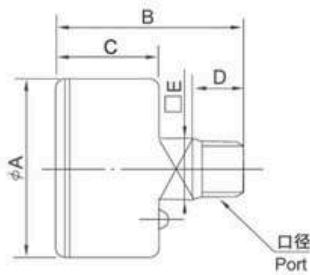
F.R.L. Units Accessories
T type Spacer, Pressure Gauge, Connector

T type Spacer



Ordering Code/Model	A	Applicable Model
Y10	8	AC1000
Y20	10	AC2000
Y30	11	AC2500-3000
Y40	14	AC4000
Y50	14	AC4000-06
Y60	15	AC5000

Pressure Gauge



Model/Ordering Code	Pressure Range	A	B	C	D	E	Applicable Model	
G27-10-R1		G1/16"	26	17.5	11	6.5	21	AR1000 AW1000
G36-10-01	0~1MPa(Red) 0~150psi(Blue)	G1/8"	42	38.5	24	10	11	AR2000-3000 AW2000-3000
G46-10-02		G1/4"	52.5	43.5	25	10	14	AR4000-5000 AW4000-5000

Piping Adapter



Four Positions Connector

Up and Down, Forward And Backward Directions Can Be Divided Disposable Tube

