

➤ 2W/S (large orifice) Two-Position Two-Way Solenoid Valve

R2W/S (large orifice)

Various material for you chose,
Reasonable design , Reliable quality



Ordering Code

R	-	2W	-	160	-	15	-	K	-		-	
RFS product		Valve body 2W Brass 2S stainless steel		Orifice 160 16mm 200 20mm 250 25mm 350 35mm 400 40mm 500 50mm		Connection port 10 (15) 3/8" 1/2" 20 3/4" 25 1" 35 1 1/4" 40 1 1/2" 50 2"		Initial state Blank normal close K normal open		Standard voltage DC12V DC24V AC24V AC36V AC110V AC220V		Seal code Blank NBR H VITON E EPDM

Parameters

Model	Media	Working type	Pattern	Orifice (mm)	Cv Value	Connection ports	Fluid viscosity	Working pressure (MPa)	Max. pressure (MPa)	Working temp (°C)	Rated voltage	Power	Valve body material	Seal material
R2W160-10	Air Water Oil	Direct action	Normally close	16	4.8	3/8"	< 20CST	0-0.7	1.0	-5-80	DC12-24V AC24V-380V ±10%	DC23.4W AC26VA DC40W AC50VA	Brass Stainless steel	NBR EPDM VITON
R2W160-15				16	4.8	1/2"								
R2W200-20				20	7.6	3/4"								
R2W250-25				25	12	1"								
R2W350-35				35	24	1 1/4"								
R2W400-40				40	29	1 1/2"								
R2W500-50				50	48	2"								

TECNOAUTOMAT
ASESORAMIENTO Y SERVICIOS

HIDRÁULICA - NEUMÁTICA - ELECTRÓNICA
1135852811 114241 1370. 1142254987

www.tecnoautomat.com
Dirección Rio de Janeiro 2740 Lanús Bs.As.

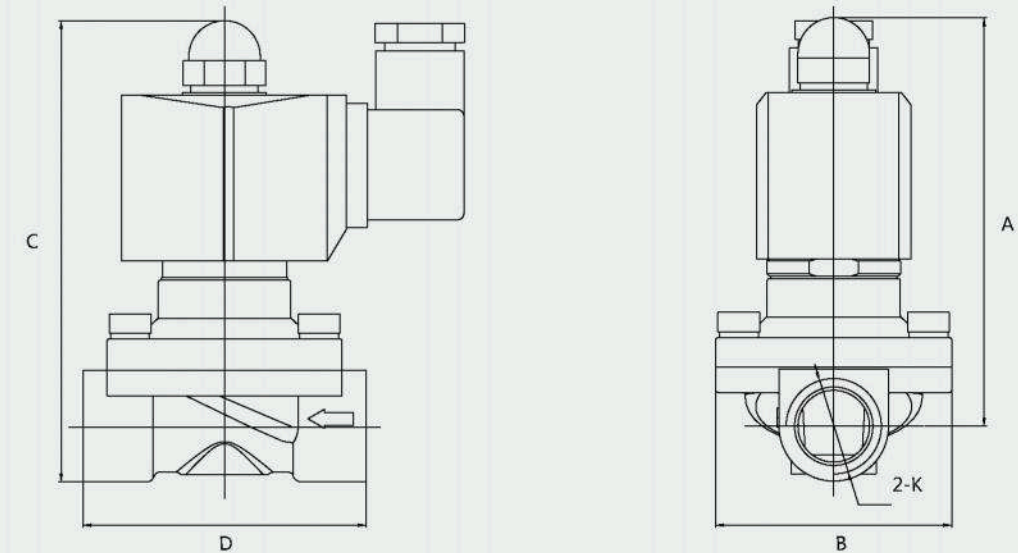
Overall Dimension

Speciality

- Direct acting, diaphragm structure, can be work at zero pressure, expanding the using area.
- Plate diaphragm structure, high reliability, long life.
- Valve body can be made from brass, stainless steel.
- plastic encapsulating coil , be able to use under numerous environment.



Overall Dimension



Model	A	B	C	D	K
R2W160-10	97	57	110	66	G3/8
R2W160-15	97	57	110	66	G1/2
R2W200-20	106	57	115	70	G3/4
R2W250-25	106	73	122	99	G1
R2W350-35	136	90.5	167	124	G1-1/4
R2W400-40	136	90.5	167	124	G1-1/2
R2W500-50	151	124	186	164	G2