

## 2 Position 2 Way Direct Drive Type Solenoid Valve 2W(Large Aperture)Series



### How to Order

**2W**

**Specification Code**  
2W: Two-position  
two-way solenoid  
valve direct drive  
type

**160**

**Aperture of  
Flow Rate**  
160:16mm  
200:20mm  
250:25mm  
350:35mm  
400:40mm  
500:50mm

**15**

**Port Size**  
10:G3/8"  
15:G1/2"  
20:G3/4"  
25:G1"  
35:G1 1/4"  
40:G1 1/2"  
50:G2"

**AC110V**

**Standard Voltage**  
DC12V DC24V  
AC24V 50Hz/60Hz  
AC36V 50Hz/60Hz  
AC110V 50Hz/60Hz  
AC220V 50Hz/60Hz  
AC380V 50Hz/60Hz

**V**

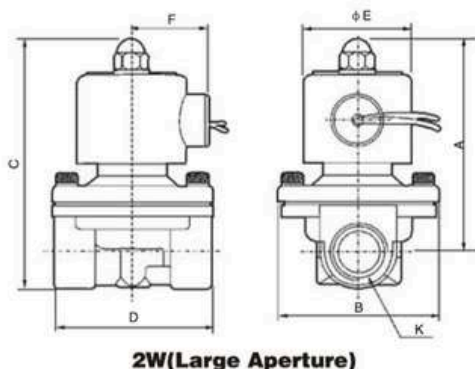
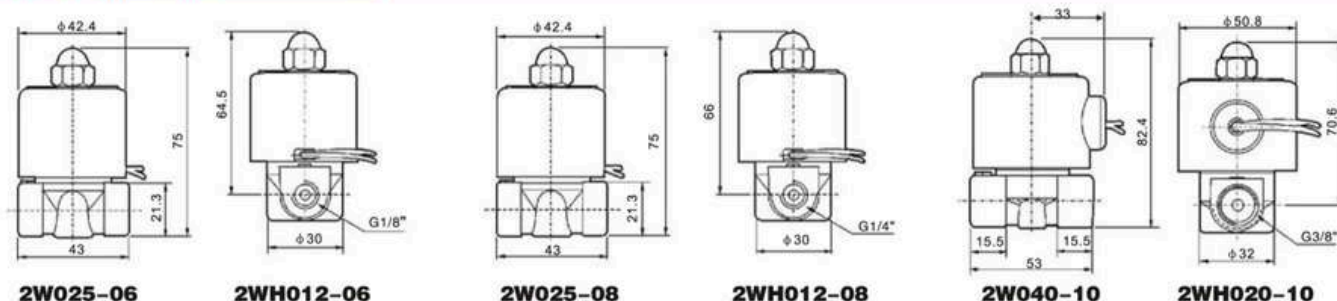
**Oil Seal Code**  
Blank:NBR  
V:VITON(for high-  
temperature)



### Specification

Model	2W160-10	2W160-15	2W200-20	2W250-25	2W350-35	2W400-40	2W500-50
Working Medium	Air, Water, Oil, gas						
Motion Pattern	Direct Drive Type						
Type	Normal Close Type						
Aperture of Flow Rate(mm)	16	20	28	35	40	50	
CV Value	4.8	7.6	12	24	29	48	
Port Size	G3/8"	G1/2"	G3/4"	G1"	G1 1/4"	G1 1/2"	G2"
Operation Fluid Viscosity	20 CST (Below)						
Working-pressure	Air:0~0.7MPa		Water:0~0.5MPa		Oil:0~0.5MPa		
Max. Pressure Resistance	1.0MPa						
Operating Temperature Range	-5~+80°C						
Voltage Range	±10%						
Material of Body	Brass(Material of stainless steel need special explain)						
Material of Oil Seal	NBR or VITON						

### Overall Dimensions



**2W(Large Aperture)**

### Dimension Sheet

Symbol/Model	A	B	C	D	E	F	K
2W160-10	101.5	57	117	69	50	36	G3/8"
2W160-15	101.5	57	117	69	50	36	G1/2"
2W200-20	107	57	123.5	73	50	36	G3/4"
2W250-25	111.5	73.5	134.5	99	50	36	G1"
2W350-35	142	95	172	123	70.5	56	G1 1/4"
2W400-40	142	95	172	123	70.5	56	G1 1/2"
2W500-50	172	123	209	168	70.5	56	G2"

## Right Angle Pulse Valve DMF Series



### How to Order

<b>DMF</b>	—	<b>Z</b>	—	<b>25</b>	—	<b>P</b>	—	<b>EX</b>
<b>Pulse Valve Type Code</b> Z: Solenoid Control Q: Pneumatic Control				<b>Orifice Size</b>		<b>Thread Type</b> Blank: Normal Thread Type A: Thread Type+ Insert pipe P: Thread Type S: Double Diaphragms J: Thread Type (Economy Type)		<b>Wiring Form</b> Blank: Normal Type EX: Ex-proof type

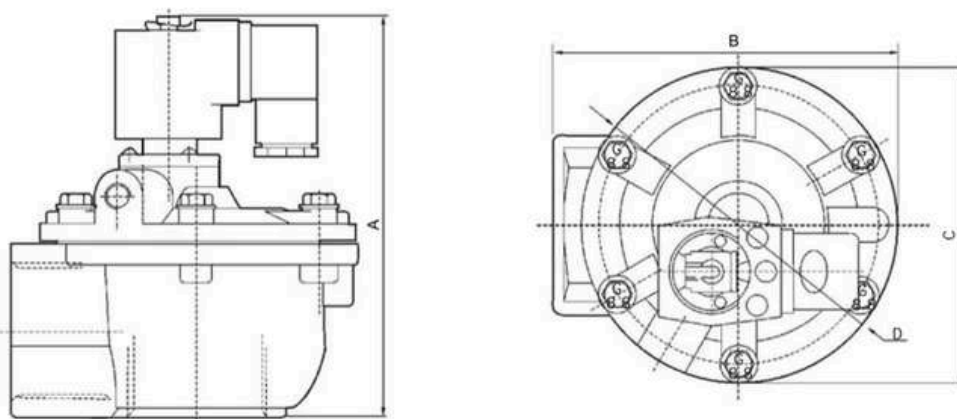
### ■ Speciality

- Adopt international advanced technology.
- Used for dust remover.
- Key parts all made of imported materials.
- Pneumatic control type, solenoid control type, ex-proof solenoid control type for choose.
- Female thread connection port, easy to be mounted.

### Specification

Model	DMF-Z-20A	DMF-Z-20P	DMF-Z-20	DMF-Z-25	DMF-Z-25P	DMF-Z-35P	DMF-Z-40S	DMF-Z-50S	DMF-Z-62S	DMF-Z-76S	DMF-Z-100S
Working Pressure	0.3~0.8MPa										
Ambient Temperature	-5~55℃										
Relatively Humidity	<85%										
Working Medium	Clean Air										
Voltage	AC110V/AC220V/DC24V										
Diaphragm Life Cycles	Over 1000k Cycles										
Orifice(mm)	φ20	φ20	φ20	φ25	φ25	φ35	φ40	φ50	φ62	φ76	φ100
Connection Port	G3/4"	G3/4"	G3/4"	G1"	G1"	G1 1/2"	G1 1/2"	G2"	G1 1/2"	G3"	φ100

### Overall Dimensions



### Dimension Sheet

Model	DMF-Z-20A	DMF-Z-20P	DMF-Z-20	DMF-Z-25	DMF-Z-25P	DMF-Z-35P	DMF-Z-40S	DMF-Z-50S	DMF-Z-62S	DMF-Z-76S	DMF-Z-100S
A	173	124	110	110	124	142	166	202	222	245	356.5
B	145	105	90.5	90.5	105	121	132	210	210	230.5	286.5
C	-	82.5	75	75	82.5	-	-	-	-	-	-
D	φ90	-	-	-	-	φ112	φ137	φ185	φ185	φ200	φ221

## Full Stainless Steel Angle Valve DN10 15 20 25 32 40 50



### How to Order

10

40



#### Port Size

10:G3/8"  
15:G1/2"  
20:G3/4"  
25:G1"  
32:G1-1/4"  
40:G1-1/2"  
50:G2"

#### Actuator Size

40:40mm  
50:50mm  
63:63mm  
80:80mm  
100:100mm

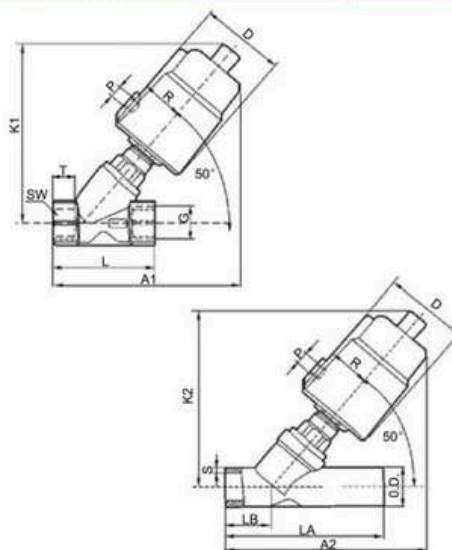
#### Type

SC:Single Action  
Normal Close  
SO:Single Action  
Normal Open  
DC:Double Action  
Normal Close  
DF:Double Action  
Free Installation

### Specification

Model	10-50SC/SO/DC/DF		
Port size	DN10-DN50		
Thread	G3/8"-G2"		
Welded	DIN11850	2 DIN11850	3 ISO2037
Valve body	CF8M		
Actuator	CF8		
Seat seals	PTFE		
Stem seals	PTFE/FKM		
Piston seals	FKM/NBR		
Applicable medium	Water, liquid, neutral gas, water steam Slight corrosive gas and liquid		
Temperature range	PTFE:-10°C to +180°C		
Ambient temperature	-10°C to +60°C		
Viscosity	max600mm <sup>2</sup> /s		
Installation	Any position		
Controlling medium	Air or neutral gas		
Controlling pressure range	0.3-1M		

### Overall Dimensions



### Dimension Sheet

Specification	Actuator (mm)	D	R	P	Thread						Welded					
					G	K1(mm)	A1(mm)	L(mm)	T(mm)	SW(mm)	OD(mm)	K2(mm)	A2(mm)	LA(mm)	LB(mm)	S(mm)
DN10	40	45.5	27	G1/8"	G3/8"	115	120	68	12	26.6	-	-	-	-	-	-
DN10	50	60	35	G1/8"	G3/8"	126	133	68	12	26.6	-	-	-	-	-	-
DN15	40	45.5	27	G1/8"	G1/2"	115	120	68	15	26.6	21.3	115	128	110	30	2.65
DN15	50	60	35	G1/8"	G1/2"	126	133	68	15	26.6	21.3	126	140	110	30	2.65
DN20	50	60	35	G1/8"	G3/4"	131	137	75	16	32	26.9	131	136	108	30	3.45
DN25	50	60	35	G1/8"	G1"	140	149	90	17	39.5	33.7	140	150	112	32	3.85
DN25	63	77	43	G1/8"	G1"	165	174	90	17	39.5	33.7	165	175	112	32	3.85
DN32	63	77	43	G1/8"	G1-1/4"	175	188	116	21	50	38	175	193	136	40	3.35
DN32	80	98	52	G1/4"	G1-1/4"	185	203	116	21	50	38	185	206	136	40	3.35
DN32	100	121	63	G1/4"	G1-1/4"	205	215	116	21	50	38	205	218	136	40	3.35
DN40	63	77	43	G1/8"	G1-1/2"	178	190	116	21	55.3	42	178	193	146	40	3.2
DN40	80	98	52	G1/4"	G1-1/2"	187	204	116	21	55.3	42	187	207	146	40	3.2
DN40	100	121	63	G1/4"	G1-1/2"	208	216	116	21	55.3	42	208	219	146	40	3.2
DN50	63	77	43	G1/8"	G2"	184	203	138	22	70	54	184	206	160	45	2.7
DN50	80	98	52	G1/4"	G2"	195	218	138	22	70	54	195	220	160	45	2.7
DN50	100	121	63	G1/4"	G2"	215	230	138	22	70	54	215	232	160	45	2.7