



**CDQ2B 125-50DM**



**CDQ2B 32-20**



**CDQ2B 20-15-XC9**

**订购码 Ordering Code**

**CQ2**

系列代号  
CQ2:基本型  
CDQ2:内置磁环型  
**Series Code**  
CQ2:Normal Type  
CDQ2:Attach magnet Type



安装  
B:通孔  
A:两端内螺纹  
**Mounting Style**  
B:with through bore  
A:with female thread on both ends

**12**

缸径  
单动:Φ12-Φ50mm;  
双动:Φ12-Φ100mm  
**Cylinder Bore**  
Single action:Φ12-Φ50mm  
Double action:Φ12-Φ100mm

**10**

行程  
**Stroke**  
0-100mm

**D**

动作  
D:双动  
S:单动(弹簧压回)  
T:单动(弹簧压出)  
**Action**  
D:double action  
S:single action(with spring return)  
T:single action(with spring extent)



缸身(任选)  
空白:杆端内螺纹  
M:杆端外螺纹  
C:橡胶缓冲  
**Cylinder body (optional)**  
Blank:Inner Thread Type  
M:Thread outer Type  
C:With cushion

**规格 Specification**

内径/Bore(mm)	12	16	20	25	32	40	50	63	80	100
工作介质/Working Medium	空气/Air									
动作型式/Motion Pattern	单动: 弹簧压回/弹簧压出 Double action/Single Action Extrusion type/Single Action Drawing-in Type									
保证耐压力/Ensured Pressure Resistance	15.3kgf/cm <sup>2</sup> (1.5Mpa)									
最高使用压力/Max.pressure	10.2kgf/cm <sup>2</sup> (1.0Mpa)									
环境和流体温度/Environment and fluid temp	5~+60℃									
杆端螺纹/Thread Type	内螺纹(标准)/外螺纹(任选) Inner Thread(Standard)/Outer Thread(Optional)									
缓冲/Buffering	无/NO									
行程公差/Margin of Stroke Error(mm)	+1.0 0									
安装/Installation	通孔(标准)/两准内螺纹(任选)Through Hole (Standard), Inner size on the two sides(Optional)									
接管口径/Port size	M5×0.8			G1/8"			G1/4"		G3/8"	

■ 单动气缸不可以加橡胶缓冲。  
Note:Pls Confirm Single Type Can't With Cushion.



**CDQSWB 16-15-JP**



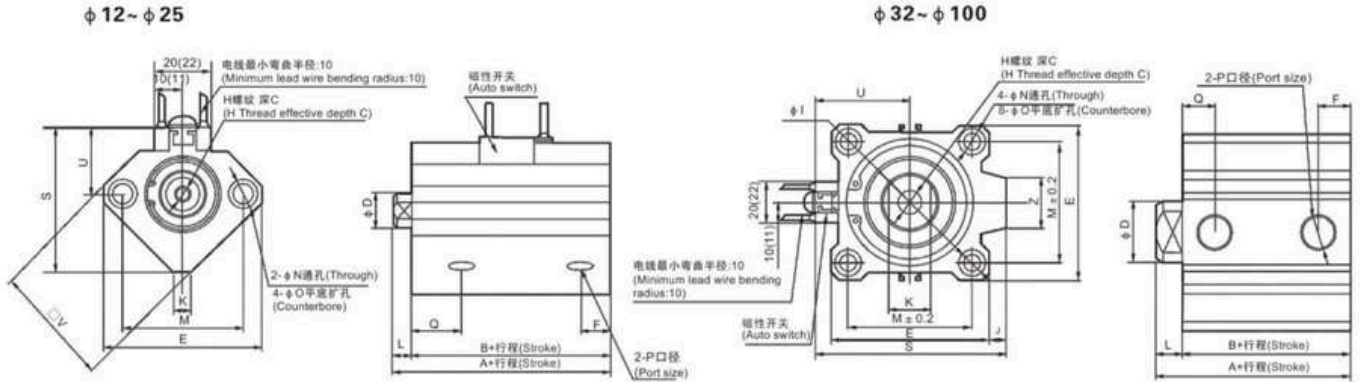
**CQ2B 50-30-30-X11**



**CDQ2B 20-20**

外形尺寸 Overall Dimensions (mm)

CDQ2B 系列/Series



双动气缸尺寸表 Dimension Sheet(Double Action)

型号/Model	注1)行程范围 Stroke range (mm)	A	B	ΦD	E	F	H	C	ΦI	J	K	L	M	ΦN	ΦO	P	Q	S	U	V	Z
CDQ2B12	5~30	31.5	28	6	32	6.5	M3×0.5	6	-	-	5	3.5	22	3.5	6.5深/depth 3.5	M5×0.8	11	35.5	19.5	25	-
CDQ2B16	5~30	34	30.5	8	38	5.5	M4×0.7	8	-	-	6	3.5	28	3.5	6.5深/depth 3.5	M5×0.8	10	41.5	22.5	29	-
CDQ2B20	5~50	36	31.5	10	46.8	5.5	M5×0.8	7	-	-	8	4.5	36	5.5	9深/depth 7	M5×0.8	10.5	48	24.5	36	-
CDQ2B25	5~50	37.5	32.5	12	52	5.5	M6×1.0	12	-	-	10	5	40	5.5	9深/depth 7	M5×0.8	11	53.5	27.5	40	-
CDQ2B32	5~50	40	33	16	45	7.5	M8×1.25	13	60	4.5	14	7	34	5.5	9深/depth 7	1/8	10.5	58.5	31.5	-	18
CDQ2B40	5~50	46.5	39.5	16	52	8	M8×1.25	13	69	5	14	7	40	5.5	9深/depth 7	1/8	11	66	35	-	18
CDQ2B50	10~50	48.5	40.5	20	64	10.5	M10×1.5	15	86	7	17	8	50	6.6	11深/depth 8	1/4	10.5	80	41	-	22
CDQ2B63	10~50	54	46	20	77	10.5	M10×1.5	15	103	7	17	8	60	9	14深/depth 10.5	1/4	15	93	47.5	-	22
CDQ2B80	10~50	63.5	53.5	25	98	12.5	M16×2.0	21	132	6	22	10	77	11	17.5深/depth 13.5	3/8	16	112.5	57.5	-	26
CDQ2B100	10~50	75	63	30	117	13	M20×2.5	27	156	6.5	27	12	94	11	17.5深/depth 13.5	3/8	23	132.5	67.5	-	26

注/Note2)长行程(Long Stroke)

型号/Model	行程(mm)	A	B	F	P	Q
32	75,100	40	33	7.5	1/8	10.5
40	75,100	46.5	39.5	8	1/8	11
50	75,100	48.5	40.5	10.5	1/4	10.5
63	75,100	54	46	10.5	1/4	15
80	75,100	63.5	53.5	12.5	3/8	16
100	75,100	75	63	13	3/8	23

注1)标准行程是每5mm相隔。

Note 1)The standard stroke is at a distance of each 5 mm.

注2)行程有55mm至100mm之间的中间行程(55,60,65,70,80,85,90,95), 加5,10,15或20mm厚的垫板。

Note 2)The stroke between 55mm-100mm(55,60,65,70,80,85,90,95),need to be added thickness of 5,10,15 or 20mm pad.

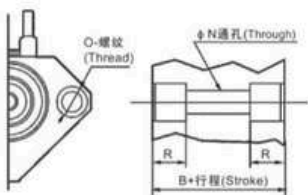
注3)除非有特别指明, 通孔型气缸尺寸和两端内螺纹气缸尺寸是一样。

Note 3)External dimensions with rumpier are same as stsndard type as shown above.

注4)5mm行程气缸只能安装一个磁性开关。

Note 4)The stroke of cylinder in 5 mm can be fixed only one magnetism swith

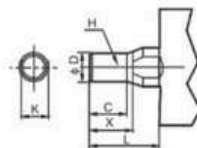
两端内螺纹/Inner Thread Type  
CDQ2A



注3)两端内螺纹  
Note3)Inner Thread Type

缸径/ Bore (mm)	O	R
12	M4×0.7	7
16	M4×0.7	7
20	M6×1.0	10
25	M6×1.0	10
32	M6×1.0	10
40	M6×1.0	10
50	M8×1.25	14
63	M10×1.5	18
80	M12×1.75	22
100	M12×1.75	22

杆端外螺纹  
Thread outer type

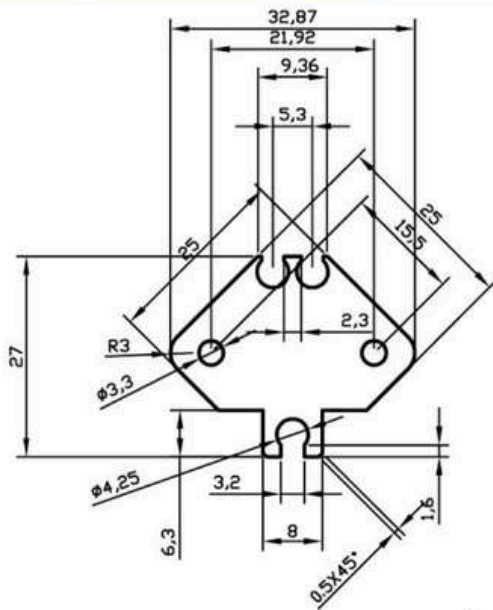


杆端外螺纹/  
Thread outer type

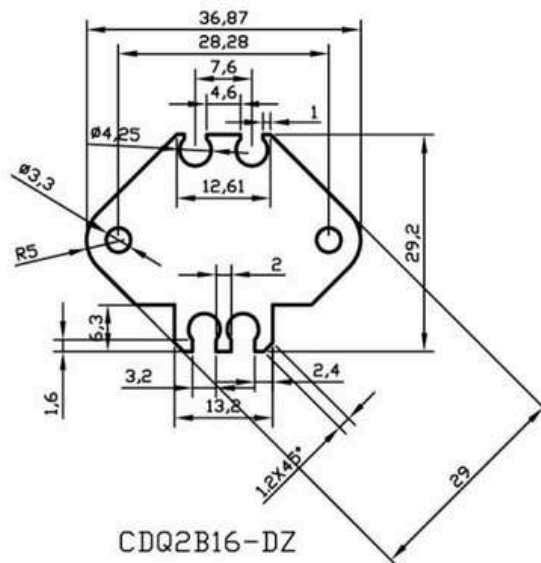
缸径/ Bore (mm)	C	X	ΦD	H	L	K
12	9	10.5	6	M5×0.8	14	5
16	10	12	8	M6×1.0	15.5	6
20	12	14	10	M8×1.25	18.5	8
25	15	17.5	12	M10×1.25	22.5	10
32	20.5	23.5	16	M14×1.5	28.5	14
40	20.5	23.5	16	M14×1.5	28.5	14
50	26	28.5	20	M18×1.5	33.5	17
63	26	28.5	20	M18×1.5	33.5	17
80	32.5	35.5	25	M22×1.5	43.5	22
100	32.5	35.5	30	M26×1.5	43.5	27



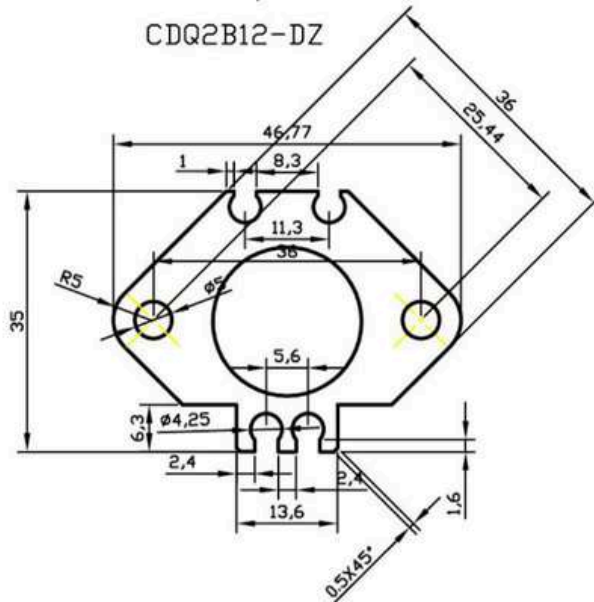
**外形尺寸 Overall Dimensions (mm)**



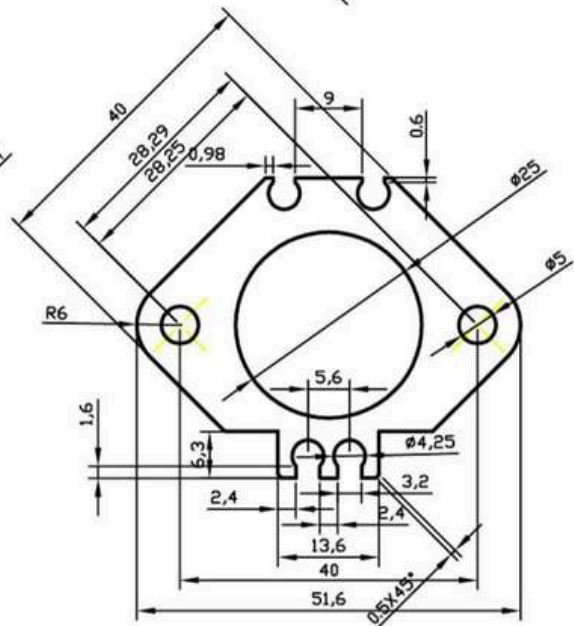
CDQ2B12-DZ



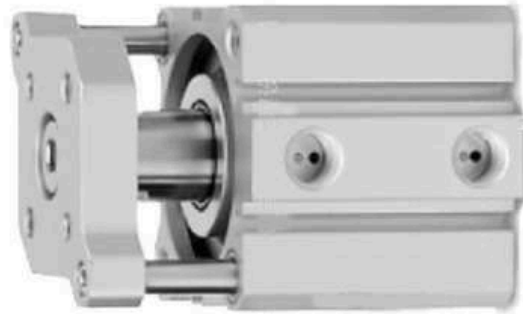
CDQ2B16-DZ



CDQ2B20-DZ







**订购码 Ordering Code**

C D QM B 20 [ ] - 10

**Cylinder stroke(mm)**  
\*Refer to "Standard stroke" .

**Thread type**

Symbol	Port thread	Mounting thread	Bore size
Nil	M thread	M thread	φ 12 to φ 25
	Rc		
TN	NPT		φ 32 to φ 50
TF	G		
NN	M thread	Inch thread	φ 12 to φ 25 φ 32 to φ 50
	NPT		

Note): M thread to be used for without auto switch type of φ 32, 5 stroke exceptionally.

**Bore size(mm)**

12	16	20	25	32	40	50
----	----	----	----	----	----	----

**Mounting**

B	Through-hole (standard)
A	Both end tapped style ( φ 32 to φ 50)

Note): A type is only available for φ 32,40,50.

**Magent**

Nil	Without magent	D	Built-in magent
-----	----------------	---	-----------------

**规格 Specification**

Bore size(mm)	12	16	20	25	32	40	50
Action	Double acting, single rod						
Fluid	Filtered compressed air						
Proof pressure	1.5 Mpa						
operating pressure range	0.12~1.0 Mpa			0.1~1.0 Mpa			
Ambient and fluid temperature	-10°C to 70°C (No freezing)						
Port size (Rc, G, NPT)	M5×0.8				1/8	1/4	
Cushion	Rubber bumper						



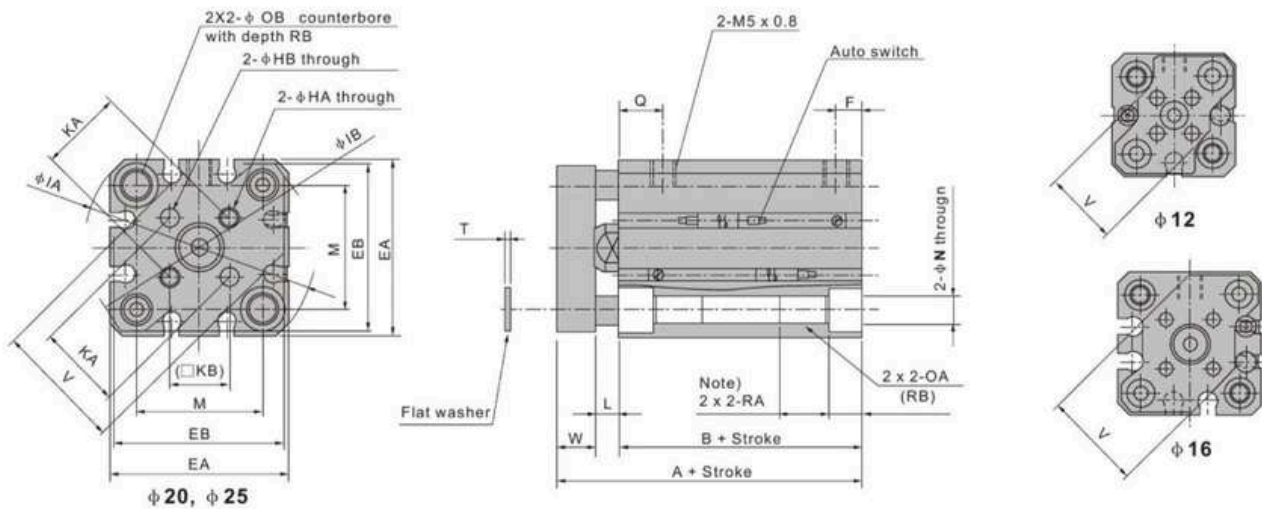
**行程 Standard Stroke**

Bore size(mm)	Standard stroke (mm)
12, 16	5, 10, 15, 20, 25, 30
20, 25	5, 10, 15, 20, 25, 30, 35, 40, 45, 50
32, 40	5, 10, 15, 20, 25, 30, 35, 40, 45, 50, 63, 75, 80, 100
50	10, 15, 20, 25, 30, 35, 40, 45, 50, 63, 75, 80, 100

**外形尺寸 Overall Dimensions (mm)**

**C(D)QM□-□ φ 12 to 25**  
 (Basic style, through hole)

**φ 12, 25, 32mm**



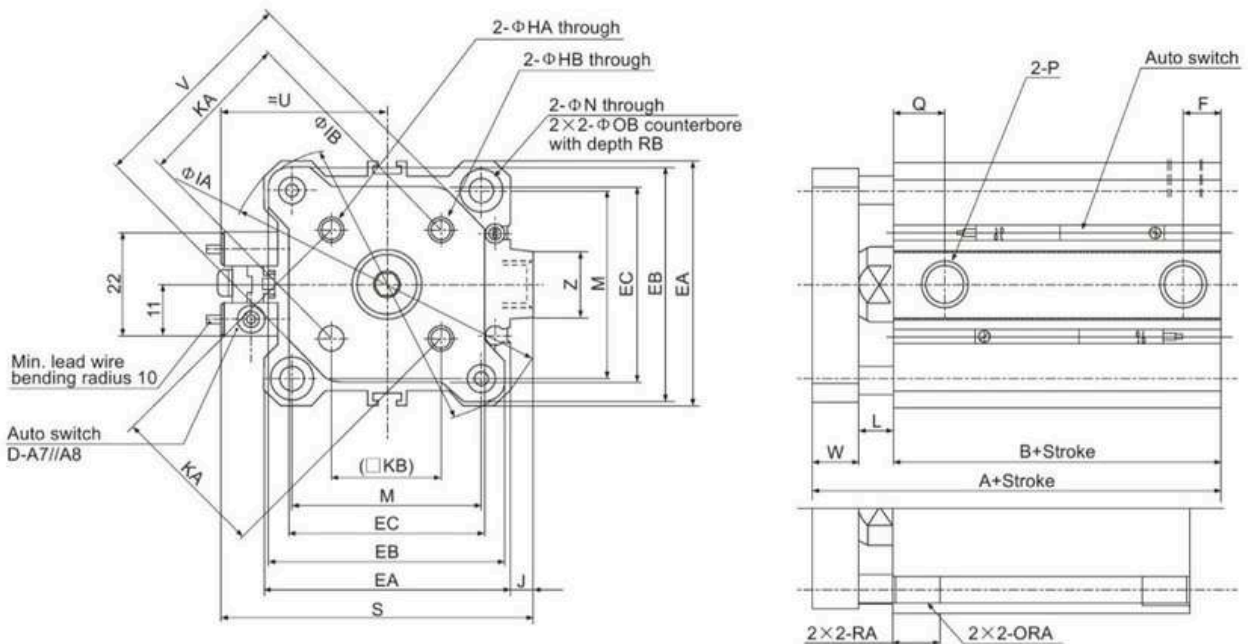
Bore size (mm)	Stroke range (mm)	Without magnet		Built-in magnet		EA	EB	F	HA		QA		HB	IA	HB
		A	B	A	B				-	NN	-	NN			
12	5 to 30	26.5	17	31.5	22	25	24	5	M3X0.5	4-40UNC	M4X0.7	8-32UNC	3	32	31.5
16	5 to 30	26.5	17	31.5	22	29	28	5	M3X0.5	4-40UNC	M4X0.7	8-32UNC	3	38	37
20	5 to 50	32	19.5	42	29.5	36	34	5.5	M4X0.7	6-32UNC	M6X1.0	1/4-20UNC	4	47	45.5
25	5 to 50	35.5	22.5	45.5	32.5	40	38	5.5	M5X0.8	10-32UNC	M6X1.0	1/4-20UNC	5	52	50.5

Bore size (mm)	KA	KB	L	M	N	OB	Q	RA	RB	T	V	W
12	10	7.1	3.5	15.5	3.5	6.5	7.5	7	4	0.5	14.9	6
16	14	9.9	3.5	20	3.5	6.5	7.5	7	4	0.5	20	6
20	17	12	4.5	25.5	5.4	9	9	10	7	1	26	8
25	22	15.6	5	28	5.4	9	11	10	7	1	30	8

Note): For the following bore/stroke sizes, the through-hole is threaded.  
 Standard without auto switch: φ 12 and φ 16; 5 stroke, φ 25; 5 to 10 stroke.  
 Built-in magnet with auto switch: φ 20; 5stroke.

外形尺寸 Overall Dimensions (mm)

C(D)QM□-□ Φ32 to 50  
 (Basic style, through hole)



Both ends tapped style (CQMA)

Dimension Sheet(CQM Compact Cylinder)

Bore size (mm)	Stroke range (mm)	Without auto switch								With auto switch										
		A	B	F	Q	P				A	B	F	Q	P				EA	EB	EC
						-	TN	TF	NN					-	TN	TF	NN			
32	5	40	23	5.5	11.5	M5×0.8	-	-	M5×0.8	50	33	7.5	10.5	Rc1/8	NPT1/8	G1/8	NPT1/8	45	43	34.4
	10 to 50	7.5	10.5	10.5	Rc1/8	G1/8	NPT1/8													
	75, 100	50	33	7.5	10.5	10.5	Rc1/8	G1/8	NPT1/8											
40	5 to 50	46.5	29.5	8	11	11	Rc1/8	G1/8	NPT1/8	56.5	39.5	8	11	Rc1/8	NPT1/8	G1/8	NPT1/8	52	50	41.4
	75, 100	56.5	39.5	8	11	11	Rc1/8	G1/8	NPT1/8											
50	10 to 50	50.5	30.5	10.5	10.5	10.5	Rc1/4	G1/4	NPT1/4	60.5	40.5	10.5	10.5	Rc1/4	NPT1/4	G1/4	NPT1/4	64	62	53.4
	75, 100	60.5	40.5	10.5	10.5	10.5	Rc1/4	G1/4	NPT1/4											

Bore size (mm)	HA		QA		HB	IA	IB	J	KA	KB	L	M	N	OB	RA	RB	S	U	V	W	Z
	-TN,TF	NN	-TN,TF	NN																	
32	M5×0.8	10-32UNF	M6×1.0	1/4-20UNC	5	60	58.5	4.5	28	19.8	7	34	5.5	9	10	7	58.5	31.5	38	10	14
40	M5×0.8	10-32UNF	M6×1.0	1/4-20UNC	5	69	67.5	5	33	23.3	7	40	5.5	9	10	7	66	35	46	10	14
50	M6×1.0	1/4-20UNF	M8×1.25	5/16-18UNC	6	86	84.5	7	42	29.7	8	50	6.6	11	14	8	80	41	58	12	19