

> Pneumatic butterfly valve

R D V

Specialized manufacture, Specialized service, RFS valve devote to satisfy user' s expectation, improving service quality continuously.keeping improving.



Ordering Code

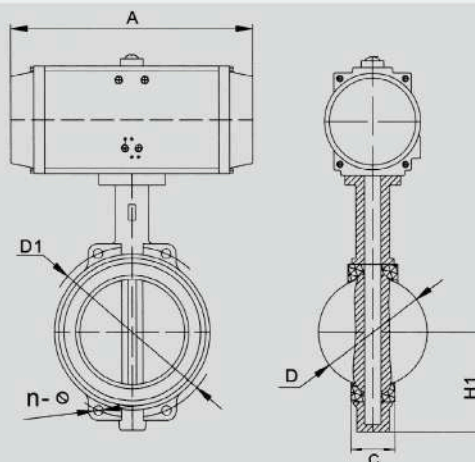
R	DV	P	□	□	-	□	-	□	-	□
RFS product	Butterfly valve	Type P Pneumatic control L Lever control W Wheel type E Electric	Connection type 4 Flange type 7 Wafer type	Body material Z CI Q DI P Stainless steel 304 R Stainless steel 316 C Carbon steel T Aluminum bronze	-	Disc material B1 Plated DI B2 Aluminum bronze B3 Stainless steel 304 B4 Titanium steel B5 Stainless steel 316 B6 Carbon steel	-	Seal material H Stainless steel 1 Natural rubber 2 Hypalon seal 3 EPDM 5 Neoprene 6 NBR 7 Abrasion resistant rubber 8 Viton 9 Heat-resistant EPDM F4 PTFE	-	Orifice 50-1000

Pneumatic wafer type soft seal butterfly valve

Features

- Small and light, easy for installation and repair, and can be installed in any position.
- Simple structure, compact, prompt 90 degree turn round, open and close.
- Small operating torque
- Flow rate characteristic tend to straight, well regulate.
- Open and close test over 10,000 times, long life.
- Complete seal, no leakage during air testing.
- Choose different material as parts, fit for kinds of medium.





型号	接口螺纹	D	D1	H1	A	C	n-φd	执行器
RDVP7PB3-7-50	2	52.9	125	80	181	42	4-18	RAT063DA
RDVP7PB3-7-65	2.5	64.5	145	89	207	44.7	4-18	RAT075DA
RDVP7PB3-7-80	3	78.8	160	95	213	45.2	8-18	RAT083DA
RDVP7PB3-7-100	4	104	180	114	258	52.1	8-18	RAT092DA
RDVP7PB3-7-125	5	123.3	210	127	287	54.4	8-18	RAT105DA
RDVP7PB3-7-150	6	155.6	240	139	342.5	55.8	8-23	RAT125DA
RDVP7PB3-7-200	8	202.5	295	175	342.5	60.6	8-23/12-23	RAT125DA
RDVP7PB3-7-250	10	250.5	350	203	411	65.6	12-23/12-26	RAT140DA
RDVP7PB3-7-300	12	301.6	400	242	488	76.9	12-23/12-26	RAT160DA
RDVP7PB3-7-350	14	333.3	460	267	488	76.5	16-23/16-26	RAT160DA
RDVP7PB3-7-400	16	389.6	515	309	544	85.7	16-26/16-30	RAT190DA
RDVP7PB3-7-450	18	440.51	565	328	580	105.6	20-26/20-30	RAT210DA
RDVP7PB3-7-500	20	491.5	620	361	622	130.3	20-26/20-33	RAT240DA
RDVP7PB3-7-600	24	592.5	725	459	766	151.4	20-30/20-36	RAT270DA
RDVP7PB3-7-700	28	695	840	520	766	163	24-30/24-36	RAT270DA
RDVP7PB3-7-800	32	794.7	950	591	794	188	24-33/24-39	RAT300DA
RDVP7PB3-7-900	36	864.7	1050	656	880	203	28-33/28-39	RAT350DA
RDVP7PB3-7-1000	40	965	1160	721	1067	213	28-36/28-42	RAT400DA

Valve body		Disc		Rotating shaft	Liner bushing	Seal material		
Material item	Code	Material item	Code	Material item	Material item	Material item	Code	Suitable temperature
CI	Z	Plated DI	B1	Stainless steel	Lubrication bronze	Natural rubber	1	-20~+85°C
DI	Q	Aluminum bronze	B2			Hypalon seal	2	-18~+135°C Short time -18~+149°C
Aluminum bronze	T	Stainless steel 304	B3			EPDM	3	-45~+135°C Short time -50~+150°C
Stainless steel 304	P	Titanium steel	B4	Carbon steel	PTFE	Neoprene	5	-7~+93°C Short time -7~107°C
						NBR	6	-12~+82°C Short time -12~+93°C
Stainless steel 316	R	Stainless steel 316	B5	Carbon steel	PTFE	Abrasion resistant rubber	7	-10~+50°C
Carbon steel	C	Carbon steel	B6			Viton	8	-23~+150°C
						Heat-resistant EPDM rubber	9	-20~+150°C
						PTFE	F4	-10~+150°C