

**SMC Standard AR1000 to AR5000
 Regulator**

How to Order



AR2000



AR4000



AR5000

AR 30 00 - 03 BG

Accessories(Options)

Symbol	Description	Applicable model
Nil	—	—
B	Bracket	AR1000 to AR5000
G	Without limit indicator	AR1000
	With limit indicator	AR2000 to AR5000

Port size

M5	M5×0.8	04	1/2
01	1/8	06	3/4
02	1/4	10	1
03	3/8		

Thread

Nil	Meter thread(M5)	
		Rc(PT)
N	NPT	
F	G(PF)	

Body size

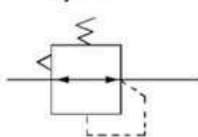
10	M5	30	3/8
20	1/8	40	1/2
25	1/4	50	3/4

Regulator

Specifications

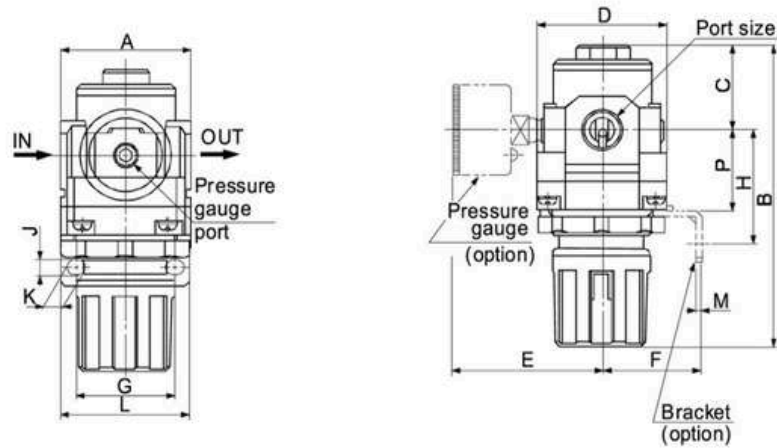
Model	AR1000	AR2000	AR3000	AR4000	AR4000-06	AR5000
Port size	M5×0.8	1/4	1/4 3/8	3/8 1/2	3/4	3/4 1
Fluid	Air					
Proof pressure	1.5 MPa					
Max.operating pressure	1.0 MPa					
Set pressure range	0.05-0.7MPa	0.05~0.85 MPa				
Pressure gauge port size	1/16	1/8	1/8	1/4	1/4	1/4
Ambient and fluid temperature	-5~60℃(Non-freezing)					
Construction	Relieving style					
Weight(kg)	0.08	0.27	0.41	0.84	0.94	1.19

Symbol

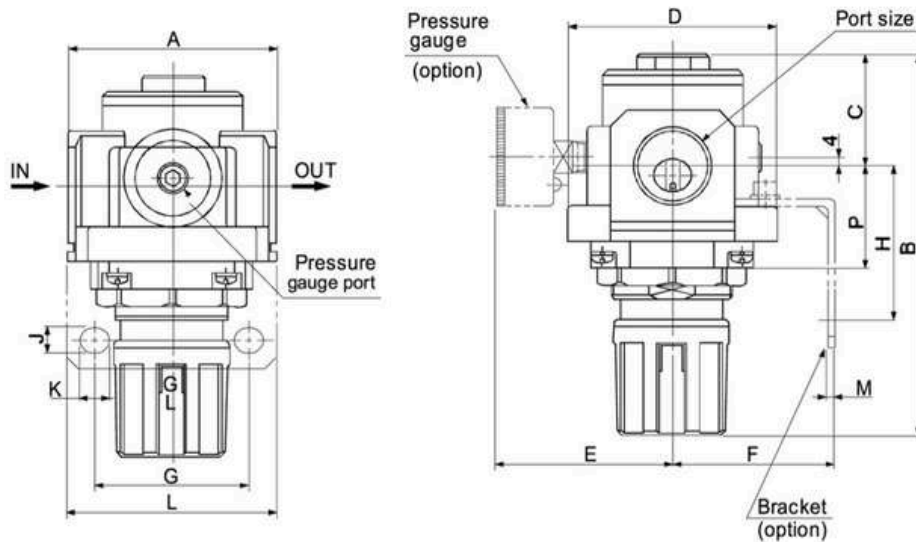


Dimensions

AR1000 to AR4000



AR5000



Model	Port size	A	B	C	D	E	Bracket mounting dimensions						ΦN	P	
							F	G	H	J	K	L			M
AR1000	M5×0.8	25	61.5	11	25	26	25	28	30	4.5	6.5	40	2	20.5	19
AR2000	1/4	40	95	17	40	56.8	30	34	44	5.4	15.4	55	2.3	33.5	25
AR3000	1/4, 3/8	53	127.5	35	53	60.8	41	40	46	6.5	8	53	2.3	42.5	32.5
AR4000	3/8, 1/2	70	149.5	37.5	70	65.5	50	54	54	8.5	10.5	70	2.3	52.5	36
AR4000-06	3/4	75	154.5	40.5	70	69.5	50	54	56	8.5	10.5	70	2.3	52.5	38
AR5000	3/4, 1	90	168	48	90	75.5	70	66	65.8	11	13	90	3.2	52.5	44

**SMC Standard AW1000 to AW5000
 Air Filter & Regulator**

How to Order

Direct operated, relieving style.
 Minimizes space and piping due
 to the integration of the filter and
 the regulator.



AW2000

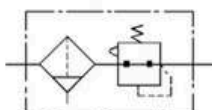


AW3000



AW5000

Symbol



AW 30 00 — 03 BG

Accessory

Symbol	Description	Applicable model
Nil	—	—
B	Bracket	AW 1000 to AW5000
C	Auto drain float style (N.C.)	AW3000 to AW5000
D	Auto drain pressure differential	AW1000/2000
	Auto drain float style (N.O.)	AW3000 to AW5000
G	Gauge Without limit indicator	AW1000
	Gauge With limit indicator	AW2000 to AW5000

Port size

M5	M5×0.8	04	1/2
01	1/8	06	3/4
02	1/4	10	1
03	3/8		

Thread

Nil	Metric (M5)
	Rc(PT)
N	NPT
F	G(PF)

Body size

10	M5	40	1/2
20	1/8	50	3/4
30	3/8		

Air Filter+Regulator

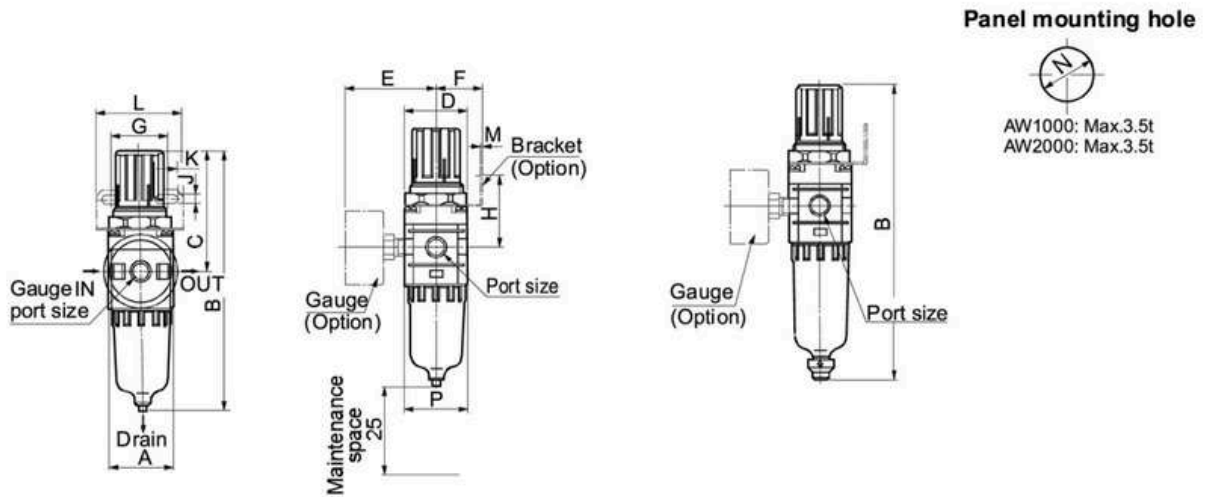
Specifications

Model	AW1000	AW2000	AW3000	AW4000	AW4000-06	AW5000
Port size	M5×0.8	1/4	1/4 3/8	3/8 1/2	3/4	3/4 1
Fluid	Air					
Proof pressure	1.5 MPa					
Max.operating pressure	1.0 MPa					
Set pressure range	0.05~0.7MPa		0.05~0.85 MPa			
Gauge port size	1/16	1/8	1/8	1/4	1/4	1/4
Ambient and fluid temperature	-5~60°C (No freezing)					
Filtration	5 μ m					
Drain capacity (cm ³)	2.5	8	23	45	45	65
Bowl material	Polycarbonate					
Construction	Relieving style					
Weight (kg)	0.09	0.36	0.53	1.09	1.15	1.7
Accessory (Std.equipment)	Bowl guard					
	—	—	•	•	•	•

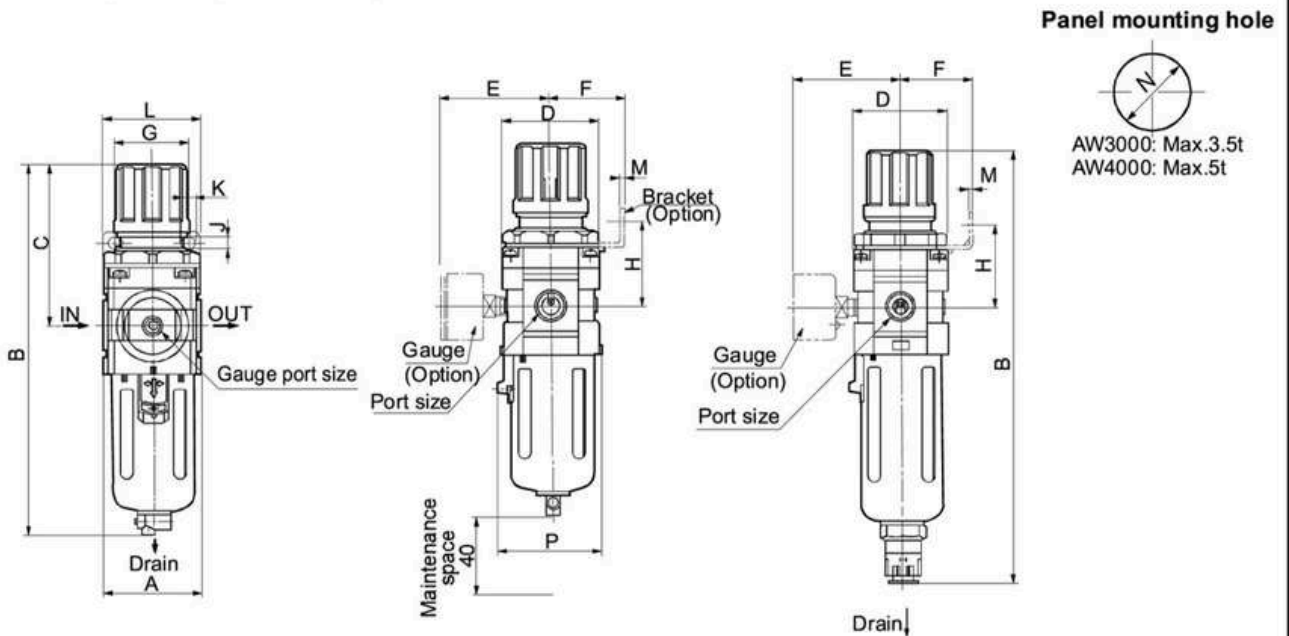
**SMC Standard AW1000 to AW5000
Air Filter & Regulator**

Dimensions

AW1000, AW2000



AW3000, AW4000, AW4000-06, AW5000



Model	Port size	A	B	C	D	E	Bracket mounting dimensions							N	P	With auto drain	
							F	G	H	J	K	L	M			Float	Press.Diff.
AW1000	M5×0.8	25	109.5	50.5	25	26	25	28	30	4.5	6.5	40	2.0	20.5	28	—	130
AW2000	1/4	40	164.5	78	40	56.8	30	34	44	5.4	15.4	55	2.3	33.5	40	—	187.5
AW3000	1/4, 3/8	53	207.5	92.5	53	60.8	41	40	46	6.5	8.0	53	2.3	42.5	56	248.5	—
AW4000	3/8, 1/2	70	259	112	70	70.5	50	54	54	8.5	10.5	70	2.3	52.5	73	300	—
AW4000-06	3/4	75	263	114	70	70.5	50	54	56	8.5	10.5	70	2.3	52.5	73	304	—
AW5000	3/4, 1	90	338	116	90	75.5	49.2	54	62	8.5	10.5	70	2.3	52.5	90	378	—

**Norgren Stadnard NAR200 (R07)
 Regulator**



Specifications

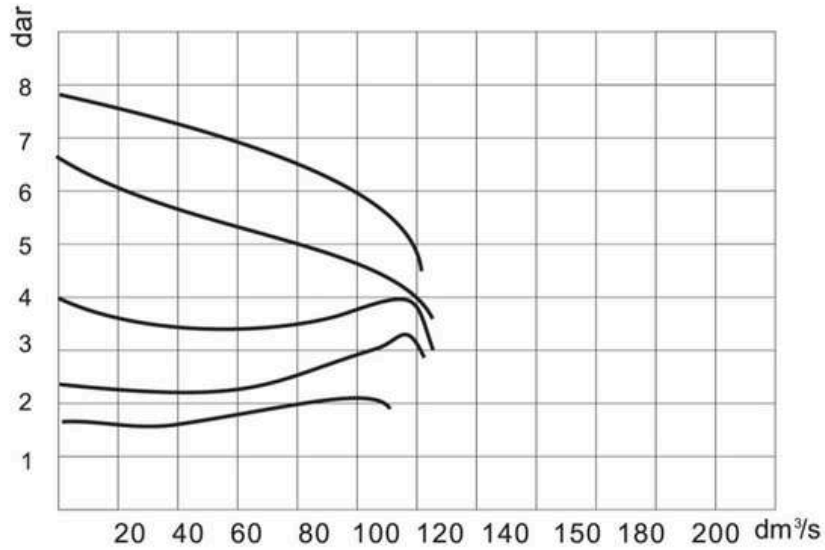
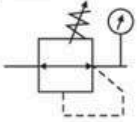
介质/介质/Medium	仅压缩空气/Only Compressed Air
入口压力/Inlet Pressure	0~20bar
压力表接口/Pressure Gauge Bore	Rc1/8
工作环境温度/Condition Temperature	5°C~50°C (透明杯/Transparence) 5°C~65°C (金属杯/Non Transparence)

若用于2°C以下, 请咨询本公司技术服务部

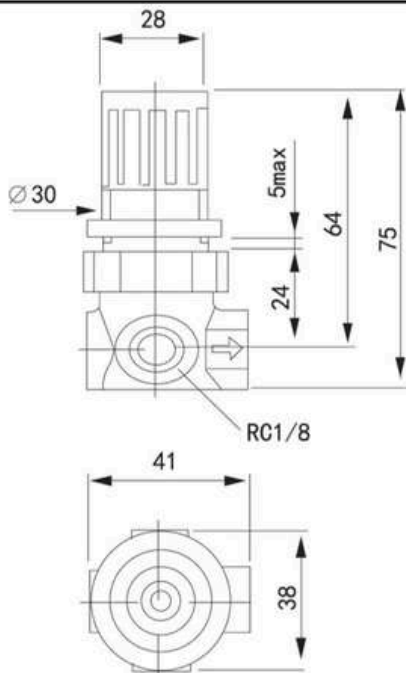
Please consult technical department if temperature below 2°C

Characteristic Curve of Flow

Symbol



Dimensions



Mounting Bracket

