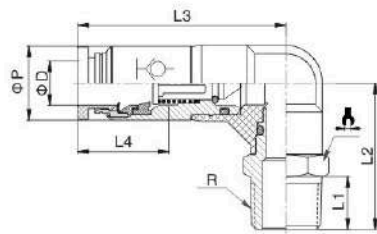
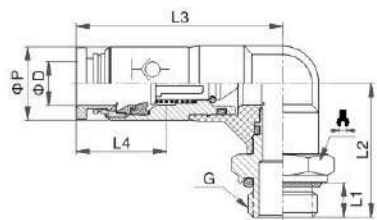


● **SPL-R 截止阀直角终端**
Male BSPT Thread(R Thread) 90°
Elbow Stop Fittings



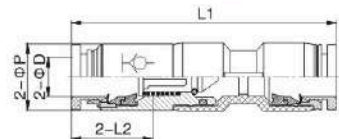
型号 Model	ΦD	R	L1	L2	L3	L4	ΦP	
SPL4-M5	4	M5	3.5	18.5	31	15	10.5	12
SPL4-M6		M6	4	19				
SPL4-01		R1/8	7.5	21.5				
SPL6-M5	6	M5	3.5	19.5	32.5	16	13	12
SPL6-01		R1/8	7.5	22.5				
SPL6-02		R1/4	10	25				
SPL8-01	8	R1/8	7.5	25	39.5	18.5	14	14
SPL8-02		R1/4	10	27.5				
SPL8-03		R3/8	10.5	28.5				
SPL10-02	10	R1/4	10	30	45	20	18	17
SPL10-03		R3/8	10.5	30.5				
SPL10-04		R1/2	13.5	34				
SPL12-03	12	R3/8	10.5	31	46.5	23	20.5	17
SPL12-04		R1/2	13.5	34.5				

● **SPL-G 截止阀直角终端**
Male BSPP Thread(G Thread) 90°
Elbow Stop Fittings



型号 Model	ΦD	G	L1	L2	L3	L4	ΦP	
SPL4-G01	4	G1/8	5.5	21	31	15	10.5	14
SPL6-G01	6	G1/8	5.5	22	32.5	16	13	14
SPL6-G02		G1/4	6.5	23				17
SPL8-G01	8	G1/8	5.5	24.5	39.5	18.5	14	14
SPL8-G02		G1/4	6.5	25.5				17
SPL8-G03		G3/8	7.5	27.5				20
SPL10-G02	10	G1/4	6.5	27.5	45	20	18	17
SPL10-G03		G3/8	7.5	29.5				20
SPL10-G04		G1/2	10	32				24
SPL12-G03	12	G3/8	7.5	30	46.5	23	20.5	20
SPL12-G04		G1/2	10	32.5				24

● **SPU 截止阀直通**
Straight Union Stop Fittings



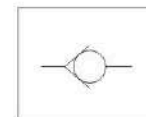
型号 Model	ΦD	L1	L2	ΦP
SPU 4	4	46	15	10.5
SPU 6	6	48	16	13
SPU 8	8	56	18.5	14
SPU 10	10	61	20	18
SPU 12	12	66	23	20.5

check valve

特点 Features

- 从一方向输入，空气流通；从反方向输入，空气不流通。
Allow the airflow in one direction but stops in the reverse direction.
- 能确保输出侧压力不变化。
Check valves permit air flow in the one direction.

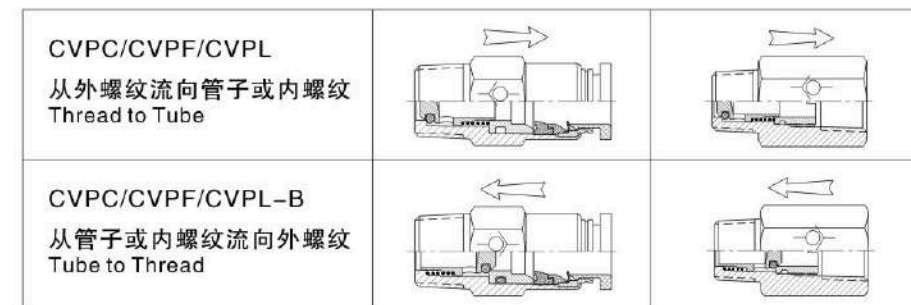
图形符号
Symbol



技术条件 Technical Specification

使用流体 Fluid	空气、水(有条件)Air/Water (Conditional)
工作压力范围 Operating Pressure	0~1.0Mpa
使用真空压力 Vacuum Pressure	-100Kpa(10Torr)
工作温度范围 Operating Temperature	0~60℃
开启压力 Turn on pressure	0.05Mpa

控制流向 Control method



订货型号(例) Ordering Model (Example)

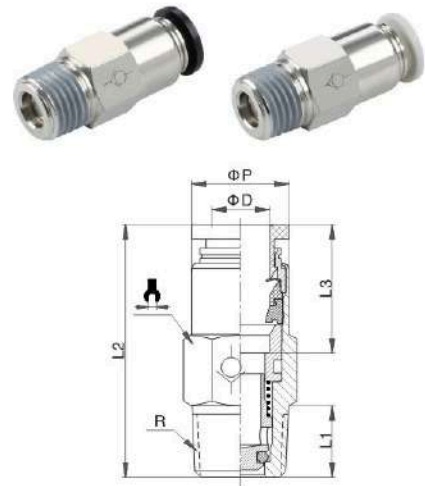
CVPC 8 - 02 - B

① 型号 Model ② 管子尺寸 Tube Size ③ 螺纹规格 Thread Type/Size ④ 空气流向 The direction of air flow
空白: 外螺纹流向管子(内螺纹)
(B): 管子(内螺纹)流向外螺纹
Blank: Thread to Tube
(B): Tube to Thread

		55° 锥管螺纹 55° Taper Tube Thread				
代号Code	螺纹thread	01	02	03	04	06
		R1/8	R1/4	R3/8	R1/2	R3/4

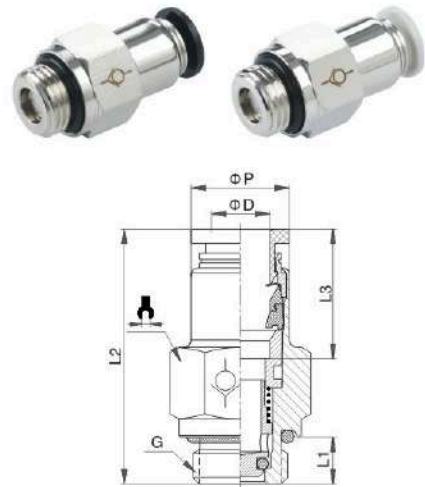
		公制螺纹 Metric Thread			55° 直管螺纹 55° Straight Tube Thread		
代号Code	尺寸Size(mm)	M3	M5	M6	G01	G02	G03
		M3*0.5	M5*0.8	M6*1.0	G1/8	G1/4	G3/8
					G04	G06	G3/4

● **CVPC-R 单向直通终端**
Straight Male BSPT Thread(R Thread) Check Valve



型号/Model	ΦD	R	L1	L2	L3	ΦP	Icon
CVPC4-M5(B)	4	M5	3.5	32.5	15	10	10
CVPC4-M6(B)		M6	4	33			
CVPC4-01(B)		R1/8	7.5	28			
CVPC6-M5(B)	6	M5	3.5	35.5	16	12	12
CVPC6-01(B)		R1/8	7.5	30			
CVPC6-02(B)		R1/4	10	30			
CVPC8-01(B)	8	R1/8	7.5	33	18	14	14
CVPC8-02(B)		R1/4	10	35			
CVPC8-03(B)		R3/8	10.5	35			
CVPC10-02(B)	10	R1/4	10	41	20	17	17
CVPC10-03(B)		R3/8	10.5	41			
CVPC10-04(B)		R1/2	13.5	41			
CVPC12-03(B)	12	R3/8	10.5	44.5	23	20	21
CVPC12-04(B)		R1/2	13.5	44.5			

● **CVPC-G 单向直通终端**
Straight Male BSPP Thread(G Thread) Check Valve



型号/Model	ΦD	G	L1	L2	L3	ΦP	Icon
CVPC4-G01(B)	4	G1/8	5.5	28	15	10	14
CVPC6-G01(B)	6	G1/8	5.5	30	16	12	14
CVPC6-G02(B)		G1/4	6.5	30			
CVPC8-G01(B)	8	G1/8	5.5	33	18	14	14
CVPC8-G02(B)		G1/4	6.5	35			
CVPC8-G03(B)		G3/8	7.5	35			
CVPC10-G02(B)	10	G1/4	6.5	41	20	17	17
CVPC10-G03(B)		G3/8	7.5	41			
CVPC10-G04(B)		G1/2	10	41			
CVPC12-G03(B)	12	G3/8	7.5	44.5	23	20	20
CVPC12-G04(B)		G1/2	10	44.5			

● **CVPU 单向直通**
Straight Union Check Valve



型号/Model	ΦD	L1	L2	ΦP
CVPU 4	4	43	15	10
CVPU 6	6	46	16	12
CVPU 8	8	53	18	14
CVPU 10	10	61.5	20	17
CVPU 12	12	67	23	20.5

● **CVPL-R 单向直角终端**
L type Male BSPT Thread(R Thread) Check Valve



型号/Model	ΦD	R	L1	L2	L3	L4	ΦP	Icon
CVPL4-M5(B)	4	M5	3.5	18.5	35	15	10.5	12
CVPL4-M6(B)		M6	4	19	35			
CVPL4-01(B)		R1/8	7.5	21	35			
CVPL6-01(B)	6	R1/8	7.5	22	37	16	13	12
CVPL6-02(B)		R1/4	10	25	37			
CVPL8-01(B)	8	R1/8	7.5	25	44	18	14	14
CVPL8-02(B)		R1/4	10	27.5	44			
CVPL8-03(B)		R3/8	10.5	28.5	44			
CVPL10-02(B)	10	R1/4	10	30	53	20	18	17
CVPL10-03(B)		R3/8	10.5	30.5	53			
CVPL10-04(B)		R1/2	13.5	34	53			
CVPL12-03(B)	12	R3/8	10.5	31	56.5	23	20.5	17
CVPL12-04(B)		R1/2	13.5	34.5	56.5			

● **CVPL-G 单向直角终端**
L type Male BSPP Thread(G Thread) Check Valve



型号/Model	ΦD	G	L1	L2	L3	L4	ΦP	Icon
CVPL4-G01(B)	4	G1/8	5.5	21	35	15	10.5	14
CVPL6-G01(B)	6	G1/8	5.5	22	37	16	13	14
CVPL6-G02(B)		G1/4	6.5	23	37			
CVPL8-G01(B)	8	G1/8	5.5	24.5	44	18	14	14
CVPL8-G02(B)		G1/4	6.5	25.5	44			
CVPL8-G03(B)		G3/8	7.5	27.5	44			
CVPL10-G02(B)	10	G1/4	6.5	27.5	53	20	18	17
CVPL10-G03(B)		G3/8	7.5	29.5	53			
CVPL10-G04(B)		G1/2	10	32	53			
CVPL12-G03(B)	12	G3/8	7.5	30	56.5	23	20.5	20
CVPL12-G04(B)		G1/2	10	32.5	56.5			