



### Features

- ◇ Linear installation
- ◇ Long and thin plastic housing, compact size
- ◇ Quick plug connector for direct connection
- ◇ Optimal lateral direct exhaust design

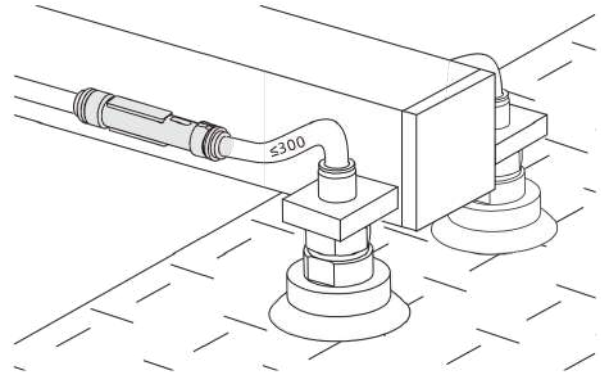
### Advantages

- ◇ Can be connected to the hose directly
- ◇ Suitable for installation in narrow spaces
- ◇ Convenient connection, no additional installation accessories are required
- ◇ Minimize product noise



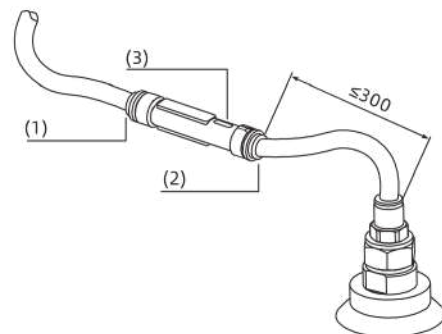
### Applications

- ◇ The linear vacuum generator can be connected to the PU hose directly
- ◇ Suitable for the handling systems with limited space



### Structure

- ◇ (1) Air supply port
- ◇ (2) Vacuum port
- ◇ (3) Exhaust port



### How to order

## ABT - T05

①                      ②

| ① Series | ② Specification                       |
|----------|---------------------------------------|
| ABT      | S02 X10<br>T05 P12<br>X2.5 D16<br>S08 |

### Technical parameters

| Model    | Air supply pressure range bar | Rated air supply pressure bar | Max. vacuum level -kPa | Max. vacuum flow NL/min | Air consumption NL/min | Noise level dB(A) | Working temperature °C | Weight g | Recommended hose dia.(mm) |             |
|----------|-------------------------------|-------------------------------|------------------------|-------------------------|------------------------|-------------------|------------------------|----------|---------------------------|-------------|
|          |                               |                               |                        |                         |                        |                   |                        |          | Air supply port           | Vacuum port |
| ABT-S02  | 4.0~7.0                       | 6.0                           | 75                     | 16.8                    | 8                      | 70                | 0~60                   | 15       | φ6                        | φ6          |
| ABT-T05  | 4.0~7.0                       | 5.0                           | 81                     | 18                      | 18.5                   | 70                | 0~60                   | 15       | φ6                        | φ6          |
| ABT-X2.5 | 4.0~7.0                       | 5.0                           | 90                     | 15.6                    | 9.5                    | 70                | 0~60                   | 15       | φ6                        | φ6          |
| ABT-S08  | 4.0~7.0                       | 6.0                           | 75                     | 46                      | 27                     | 73                | 0~60                   | 29       | φ8                        | φ8          |
| ABT-X10  | 4.0~7.0                       | 5.0                           | 92                     | 42                      | 30                     | 73                | 0~60                   | 29       | φ8                        | φ8          |
| ABT-P12  | 2.0~7.0                       | 3.14                          | 90                     | 42                      | 29                     | 73                | 0~60                   | 29       | φ8                        | φ8          |
| ABT-D16  | 4.0~7.0                       | 6.0                           | 72                     | 40                      | 46                     | 77                | 0~60                   | 29       | φ8                        | φ8          |

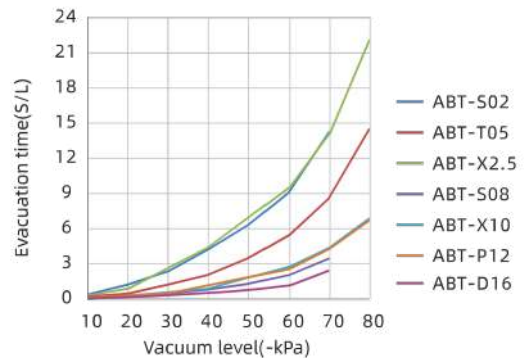
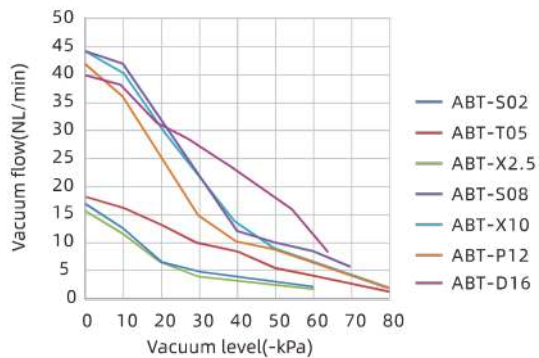
### Vacuum flow(NL/min) at different vacuum levels(-kPa)

| Model    | Air supply pressure bar | Air consumption NL/min | Vacuum level (-kPa) |      |      |      |      |     |     |     |     | Max. vacuum level -kPa |
|----------|-------------------------|------------------------|---------------------|------|------|------|------|-----|-----|-----|-----|------------------------|
|          |                         |                        | 0                   | 10   | 20   | 30   | 40   | 50  | 60  | 70  | 80  |                        |
| ABT-S02  | 6.0                     | 8                      | 16.8                | 12.2 | 6.3  | 4.6  | 3.9  | 3.0 | 2.0 | -   | -   | 75                     |
| ABT-T05  | 5.0                     | 18.5                   | 18                  | 16.2 | 13.3 | 9.9  | 8.2  | 5.6 | 4.2 | 3.1 | 1.3 | 81                     |
| ABT-X2.5 | 5.0                     | 9.5                    | 15.6                | 11.6 | 6.6  | 4    | 3.3  | 2.6 | 1.7 | -   | -   | 90                     |
| ABT-S08  | 6.0                     | 27                     | 46                  | 42   | 32.6 | 22.6 | 12   | 9.8 | 8.3 | 5.9 | -   | 75                     |
| ABT-X10  | 5.0                     | 30                     | 42                  | 40   | 30.6 | 22.2 | 13.5 | 8.9 | 6.6 | 4.5 | 2   | 92                     |
| ABT-P12  | 3.14                    | 29                     | 42                  | 36   | 25.6 | 14.9 | 10.4 | 8.9 | 6.6 | 4.2 | 19  | 90                     |
| ABT-D16  | 6.0                     | 46                     | 40                  | 38   | 30.5 | 26.7 | 22   | 17  | 12  | 3.5 | -   | 72                     |

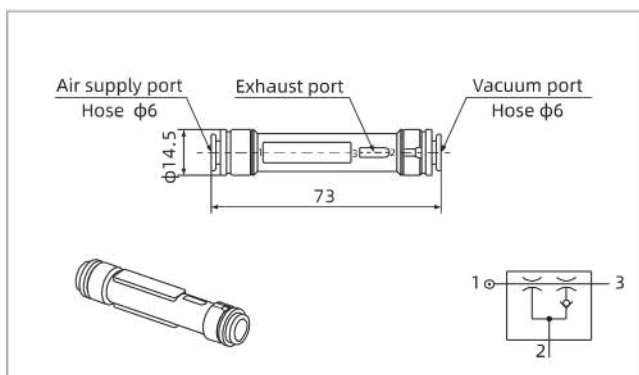
### Evacuation time(s/L) to reach different vacuum levels(-kPa)

| Model    | Air supply pressure bar | Air consumption NL/min | Vacuum level (-kPa) |      |      |      |      |      |      |       |    | Max. vacuum level -kPa |
|----------|-------------------------|------------------------|---------------------|------|------|------|------|------|------|-------|----|------------------------|
|          |                         |                        | 10                  | 20   | 30   | 40   | 50   | 60   | 70   | 80    |    |                        |
| ABT-S02  | 6.0                     | 8                      | 0.3                 | 1.1  | 2.4  | 4.1  | 6.2  | 9    | 14.3 | -     | 75 |                        |
| ABT-T05  | 5.0                     | 18.5                   | 0.18                | 0.52 | 1.11 | 1.98 | 3.35 | 5.45 | 8.5  | 14.6  | 81 |                        |
| ABT-X2.5 | 5.0                     | 9.5                    | 0.3                 | 0.9  | 2.4  | 4.3  | 6.7  | 9.5  | 14.1 | 22.03 | 90 |                        |
| ABT-S08  | 6.0                     | 27                     | 0.07                | 0.2  | 0.39 | 0.74 | 1.35 | 2.14 | 3.35 | -     | 75 |                        |
| ABT-X10  | 5.0                     | 30                     | 0.05                | 0.23 | 0.48 | 0.95 | 1.68 | 2.71 | 4.18 | 6.86  | 92 |                        |
| ABT-P12  | 3.14                    | 29                     | 0.12                | 0.29 | 0.59 | 1.07 | 1.86 | 2.66 | 4.33 | 6.72  | 90 |                        |
| ABT-D16  | 6.0                     | 46                     | 0.04                | 0.18 | 0.39 | 0.63 | 0.95 | 1.47 | 3.1  | -     | 72 |                        |

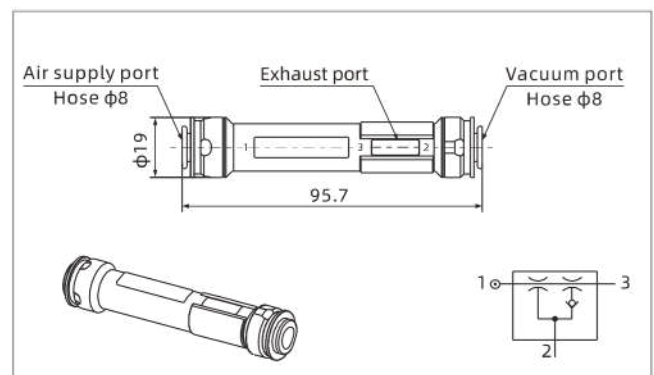
**Technical parameters**



**Dimensions(mm)**



ABT-S02/T05/X2.5



ABT-S08/X10/P12/D16