

## > Pneumatic ball valve

# RBV

Unique design and high platform structure.  
 ISO5211 connection, easy to be installed.



### Order Code

<b>R</b>	<b>BV</b>	<input type="checkbox"/>	<input type="checkbox"/>	<input type="checkbox"/>	-	<input type="checkbox"/>	-	<input type="checkbox"/>	<input type="checkbox"/>
RFS product	Ball valve	Type P pneumatic L Lever	Connection 1 Female thread connection 2 Male thread connection flanged connection 8 Clamp type	Structure 1 Straight bore 2.Y 3-way Y type 4.L 3-way L type 5.T 3-way T type		Tandem structure 1 1PCS type 2 2PCS type 3 3PCS type Blank Other		Nominal diameter 08 : 1/4" 10 : 3/8" 15 : 1/2" 20 : 3/4" 25 : 1" 32 : 1-1/4" 40:1-1/2" 50 : 2" 65 : 2-1/2" 80 : 3" 100 : 4" 125 : 5" 150 : 6"	Valve body material Z CI Q DI P Stainless steel 304 R Stainless steel 316 C Carbon steel



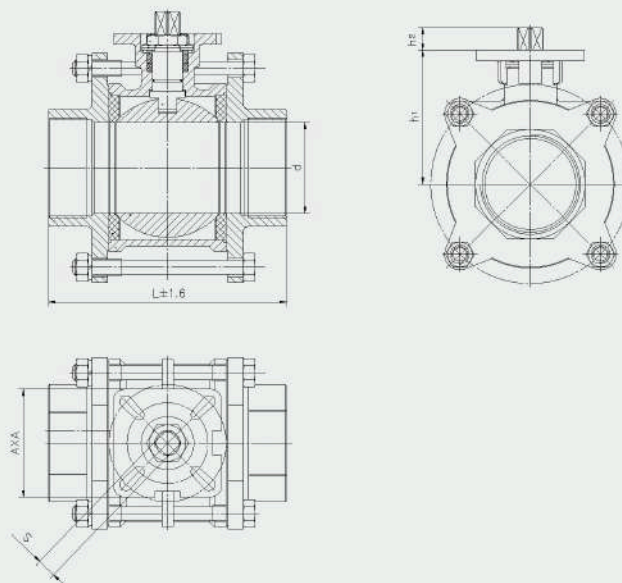
### Features

- Unique design and beautiful appearance.
- High platform structure and ISO5211 connection, makes the installation of electric or pneumatic actuator to be more professional.
- Valve body is overlaid with reinforced bar, which can be permanently used in corrosion medium, and keep away from the cracking and failure during the installation.
- Grinding process of the valve stem reduces the torque of electric or pneumatic valve during the installation.
- The valve body of carbon steel is phosphate coated, which won't be discolored and rusty. It is durable and beautiful.

## Pneumatic Female Thread 3-part Ball Valve

### Features

- Screw type: NPT, BSPT, BSP  
 ISO-228 Class A Thread
- Temperature range: PTFE : -20 °C ~ +150 °C  
 PPL: -20 °C ~ +200 °C
- Suitable medium: water, oil, air and some corrosive liquid
- Nominal pressure : 1000PSI ( PN63 ) For 1/2" to 4"
- Blowout proof stem
- Locking device
- Material: CF8M ( DIN 1.4408 ),  
 CF8 ( DIN 1.4308 ),  
 WCB ( DIN 1.0619 )  
 ( WCB, CF8, CF8M/Ti, Ti, Ni )



MODEL	INCH	DN	d	L	h1	h2	ISO5211	A	S	ACTUATOR
RBVP11-3-15	1/2"	15	15	75	39	10.5	F03/F04	42	9	RAT052DA
RBVP11-3-20	3/4"	20	20	80	44	10.5	F03/F04	42	9	RAT052DA
RBVP11-3-25	1"	25	25	90	52	11	F04/F05	50	11	RAT052DA
RBVP11-3-32	1-1/4"	32	32	110	56	11.5	F04/F05	50	11	RAT063DA
RBVP11-3-40	1-1/2"	40	38	120	65	17	F05/F07	70	14	RAT075DA
RBVP11-3-50	2"	50	49	140	75	17	F05/F07	70	14	RAT083DA
RBVP11-3-65	2-1/2"	65	64	177	105.5	19.5	F07/F10	95	17	RAT092DA
RBVP11-3-80	3"	80	80	209	118	19.5	F07/F10	95	17	RAT105DA
RBVP11-3-100	4"	100	100	267	141	20	F07/F10	96	19	RAT125DA