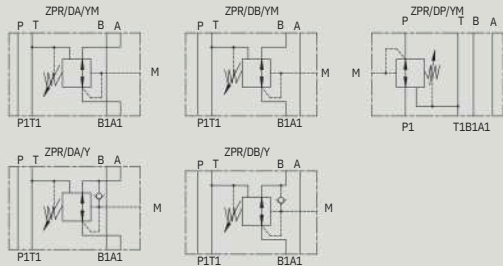


ZPR-D 型叠加式直动减压阀

ZPR-D SERIES DIRECT MODULAR REDUCING VALVES

符号 SYMBOL



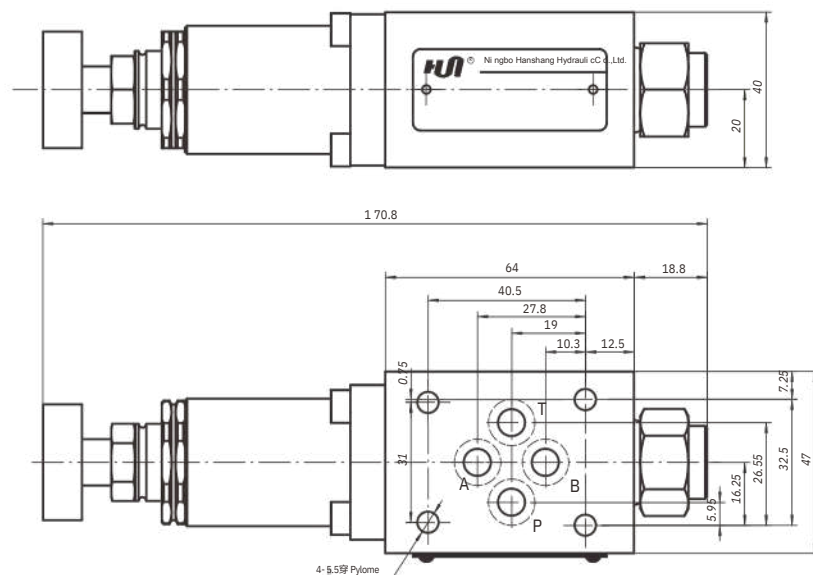
ZPR-D型减压阀是叠加式直动三通减压阀，具有二次压力保护装置，主要用来降低系统某一回路的压力。

ZPR-D series are 3-way direct operated pressure reducing valves, which are used to reduce the pressure in a certain circuit lower than of the main circuit.

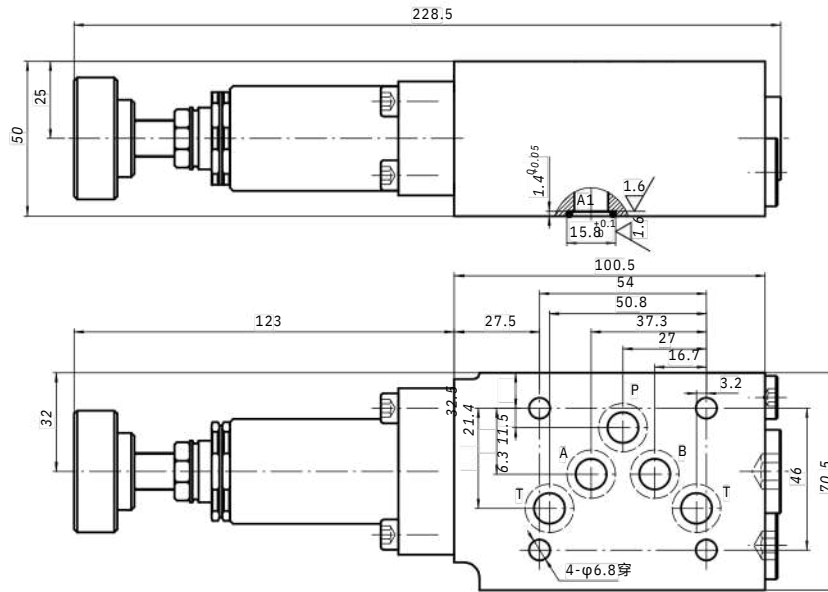
▶ 技术参数 Technical data

通径 Size	6	10
工作压力(Mpa) Operating pressure(Mpa)	31.5	31.5
次工作压力(Mpa) Second working pressure(Mpa)	21	21
背压(MPa) Back pressure(MPa)	6	6
流量(L/min) Flow rate(L/min)	30	60
介质温度(°C) Fluid temperature(°C)	-20~ 80	-20~ 80
重量(千克) Weight(KGS)	1.3	2.8
阀体(材料)表面处理 Valve body (Material) Surface treatment	铸件 表面磷化处理 casting phosphating surface	
油液清洁度/Oil cleanliness	NAS1638 9级和ISO440620/18/15级 NAS1638 class 9 and ISO4406 class 20/18/15	

▶ ZPR6D外形尺寸和安装 ZPR6D External Dimensions and Fittings



▶ ZPR10 外形尺寸和安装 ZPR10 External Dimensions and Fittings



Z	PR	6	D	A	2	30	25	Y	M	*
---	----	---	---	---	---	----	----	---	---	---

叠加式
Modular
型号
Model

通径 6;10
Size 6;10

直动式
Direct type

控制油口
A=A 油口
B=B 油口
P=P 油口
Pilot oil port

A=A oil port B=B oil port P=P oil port

1 = 手轮

2 = 调节螺栓

1=Adjustable handwheel

2=Adjustable screw

附加说明
For further details

无: 带单向阀

M=不带单向阀

No code=With check valve

M=Without check valve

Y=内控制外泄

Y=Internal pilot;external drain

压力等级

Pressure range

25 = 2.5Mpa

75 = 7.5Mpa

150 = 15Mpa

210 = 21Mpa

系列号

Series number